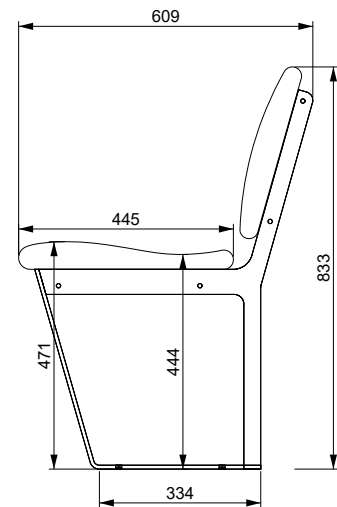




ARBOSEDA – THE TREE BENCH

TECHNICAL SPECIFICATIONS

Outer diameter	1,800 mm
Inner diameter	600 mm
Depth	609 mm
Height	833 mm
Seat height	471 mm
Seat depth	445 mm
Wood species for outdoor use	Oak, larch, douglas fir, chestnut, acacia
Wood species for indoor use only	Cherry, walnut, maple, beech
Surface finish	Natural or oiled
Brackets	Stainless steel. Custom colors available on request.



**SCHWEIZER
HOLZ**

Lignum-60-0034

LEARN MORE ABOUT
THIS ROUND BENCH
ON OUR WEBSITE:

